

VIA12 GIGABIT ETHERNET SWITCH

#6740



PRODUCT OVERVIEW

The VIA12 is a Gigabit Ethernet Switch with twelve copper port (plus two mini-GBIC) designed specifically for lighting, sound and video signal routing in all entertainment production systems, including live shows. Unlike switches designed and marketed for office and communication applications, VIA12 is convection-cooled and ships as an unmanaged switch, pre-configured and optimized for entertainment network use. Layer 2 and 3 management features are enabled and configured through the front panel interface and the free, downloadable Pathscape software tools.

FEATURES

- Trap Art-Net and convert to sACN!
- Features include IGMP querier and snooping, DHCP server per VLAN, bandwidth monitor, Dante-compliant QoS option, EAPS, ring protection, Rapid Spanning Tree (RSTP)
- Silent operation - fanless, convection cooled design
- Illuminated LCD display and rotary encoder for displaying and setting switch and port properties
- Global properties editable from front panel interface: IP Address, Subnet Mask, Default Gateway, VLAN configuration, Link speed, PoE allocation, DHCP pool, Ring protection
- Properties displayed by front panel interface: Switch Name, Port Name, PoE usage, Serial Number, MAC address, firmware version, connected devices (LLDP compliant), link status, VLAN name
- Up to 15W of Power-over-Ethernet (PoE) may be allotted to each copper port
- By adding an auxiliary power supply, up to 180W of overall PoE (15W/port)
- Twelve locking Ethercon RJ45 ports (ten on front panel, two on rear) support 10/100/1000Base-T speeds
- Two mini-GBIC port on rear panel, for SFP fiber modules (1000Base-LX or 1000Base-SX)

- Wide range input power supply
- Includes rack ears. Wall and truss mounts are available as accessories

SPECIFICATIONS

- 85-250VAC 50/60 Hz wide-ranging power input
- Locking Powercon® power cord connector
- Operating Conditions: -10 to +50°C, 5-95% relative humidity, non-condensing
- 2.15A power consumption
- Locking Speakon® 48V connector for auxiliary PoE supply

STANDARDS COMPLIANCE

- IEEE 802.1AB Link Layer Discovery Protocol
- IEEE 802.3af -Power over Ethernet (with external supply)
- ETL
- CE
- RoHS 2002/95/EC

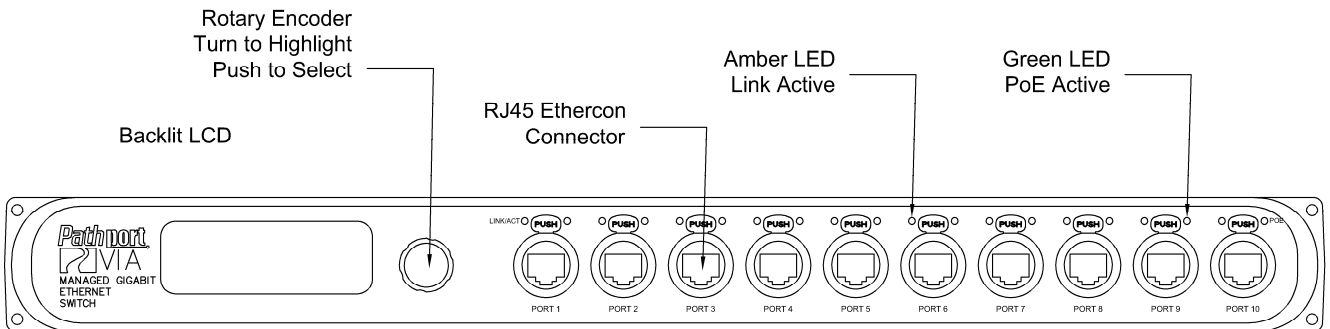
WEIGHTS AND DIMENSIONS

- 5.2 lbs (2.4 kg)
- 17"W x 7"L x 1.7"H (432mm x 180mm x 40mm)

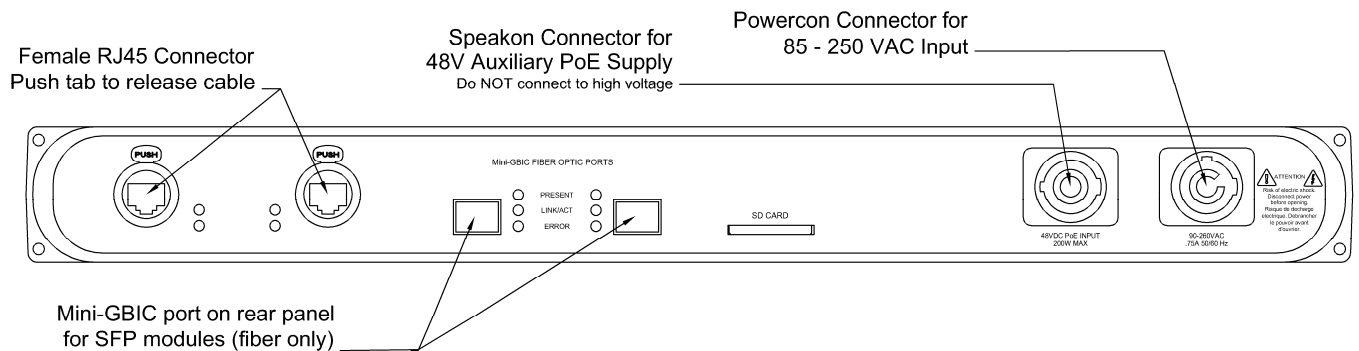
INCLUDED FURNISHINGS

- Rackmount Ears
- Installation/Operations manual

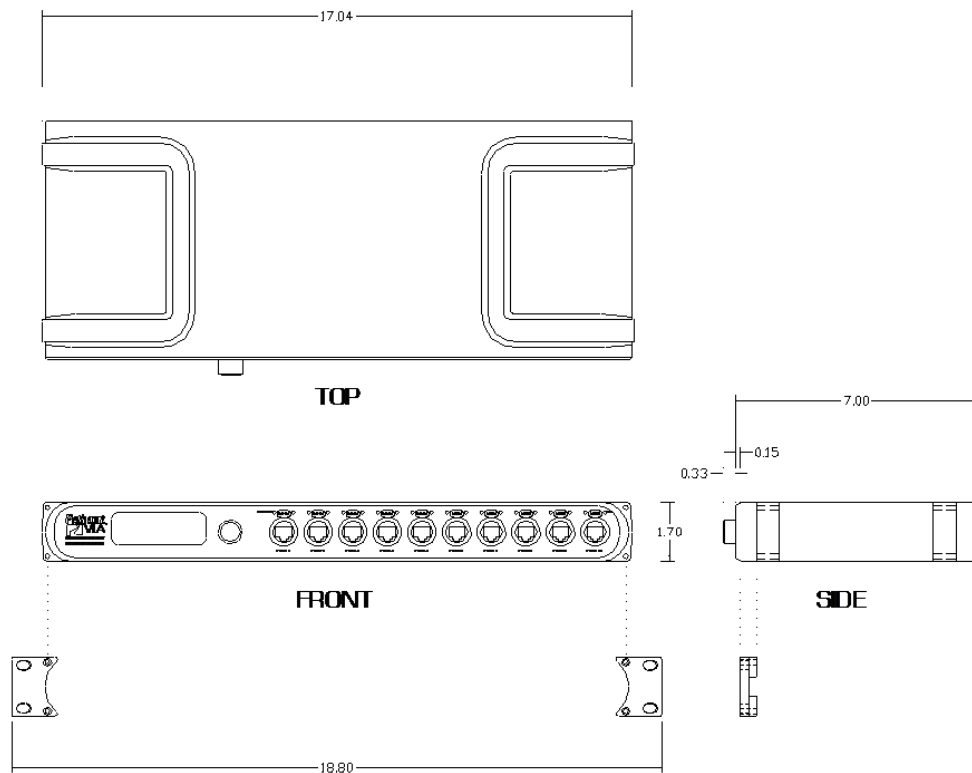
FRONT PANEL



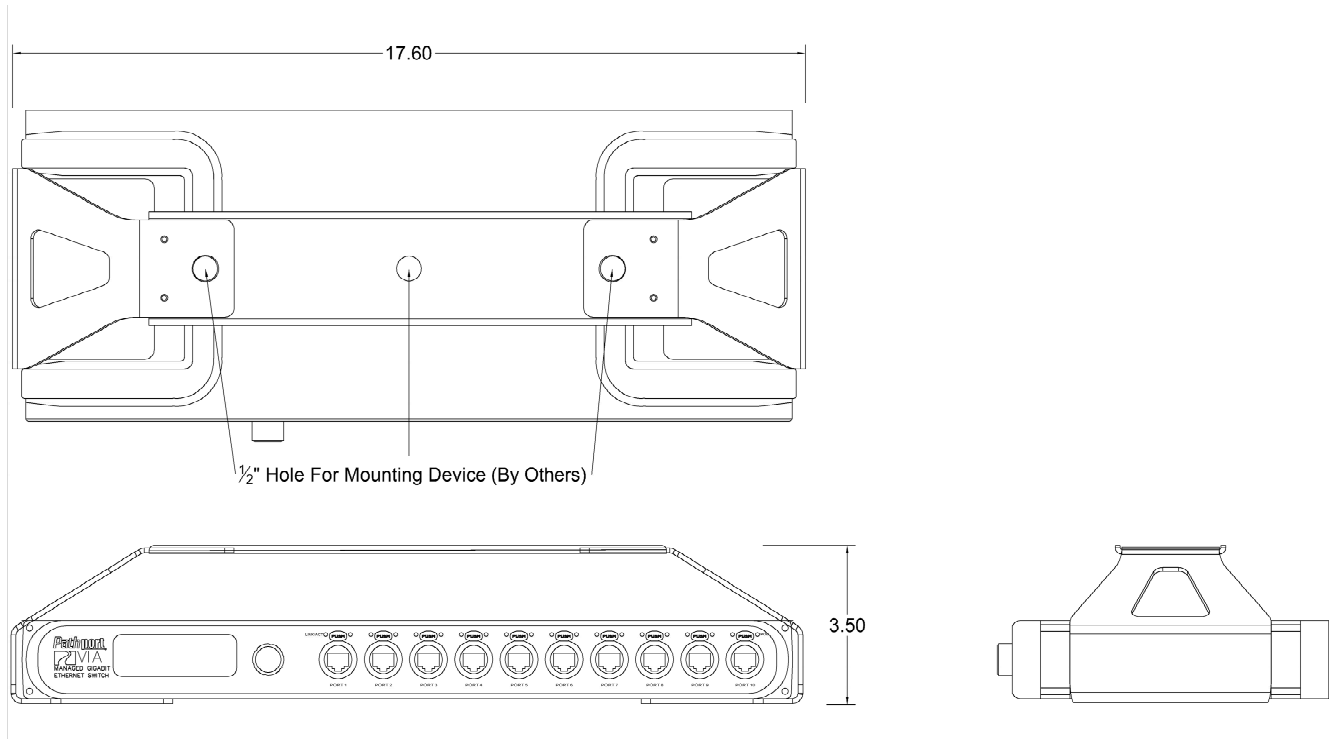
REAR PANEL



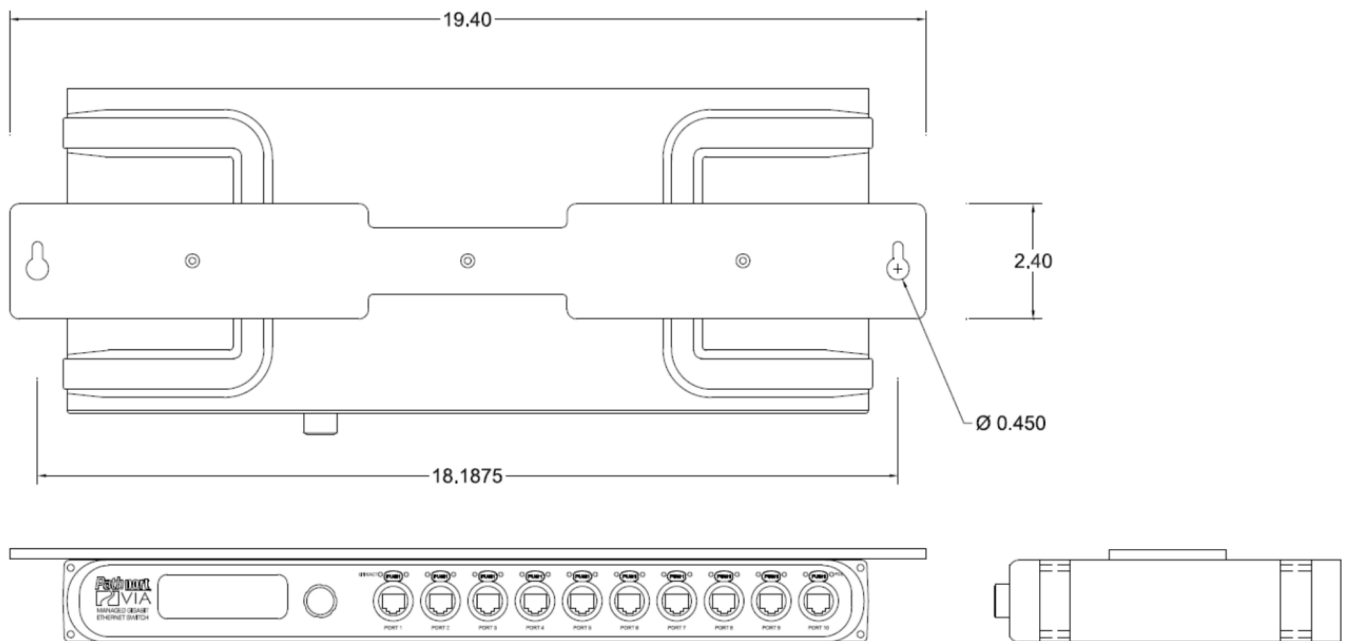
DIMENSIONS



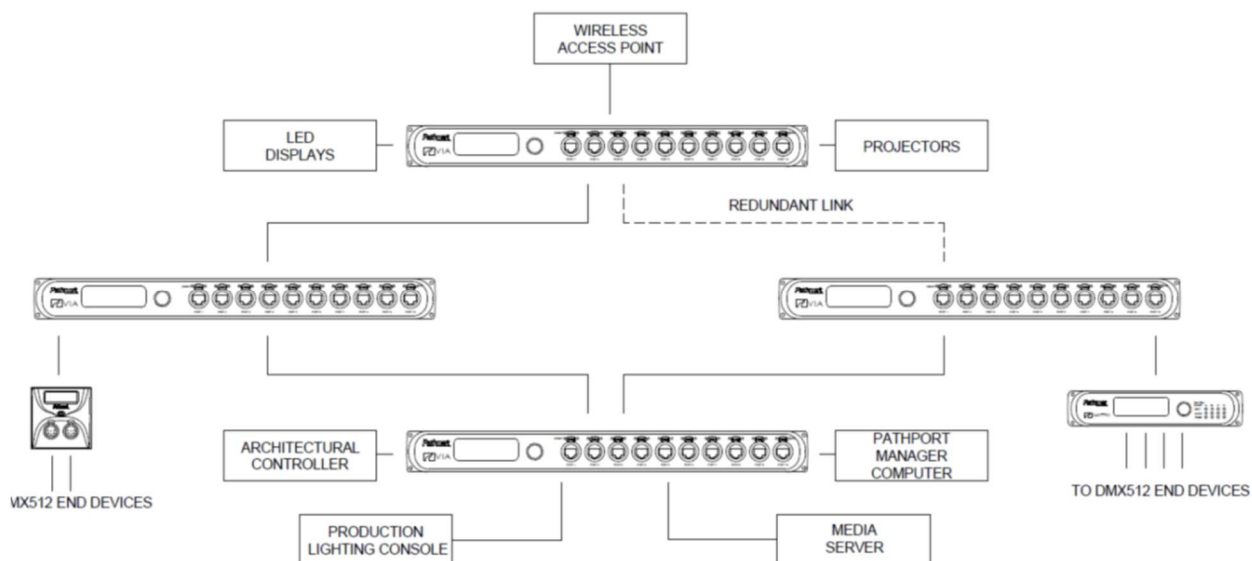
TRUSS MOUNT ACCESSORY - P/N 9003



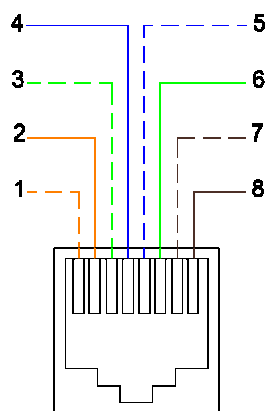
WALL MOUNT ACCESSORY- P/N 9002



APPLICATION RISER



Cat5/6 RJ45 Pin Out



PIN	COLOR
1	WHT/ORG
2	ORANGE
3	WHT/GRN
4	BLUE
5	WHT/BLU
6	GREEN
7	WHT/BRN
8	BROWN
COMPLIES WITH TIA-EIA 568B	

ORDERING INFORMATION

PART #	DESCRIPTION
6740	Pathway VIA12 Gigabit Ethernet Switch
ACCESSORIES	
9002	Wall Mount Kit
9003	Truss Mount Kit
700-7948-100	Auxiliary External Power-over-Ethernet Power Supply, 100W